

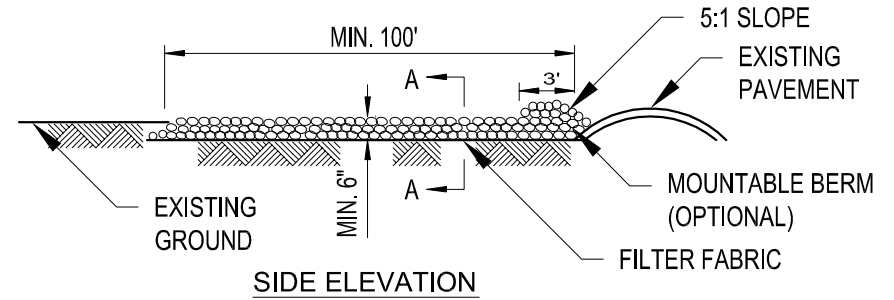
* MUST EXTEND FULL WIDTH OF INGRESS AND EGRESS OPERATION.

PLAN VIEW

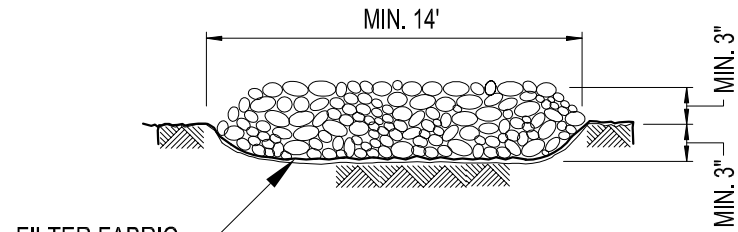
POSITIVE DRAINAGE TO SEDIMENT TRAPPING DEVICE

NOTES:

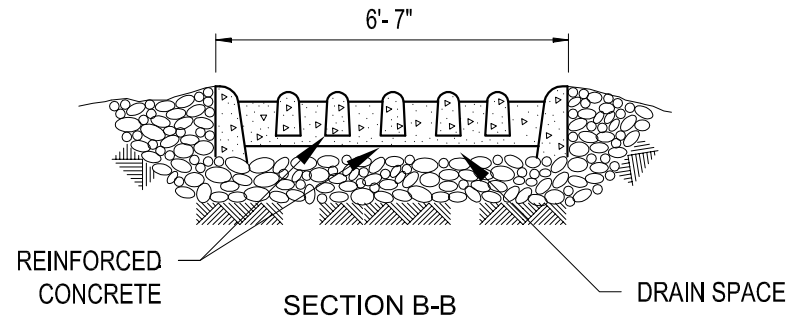
1. FILTER FABRIC SHALL MEET THE REQUIREMENTS OF SECTION 282 OF THE IDOT STANDARD SPECIFICATIONS AND SHALL BE PLACED OVER THE CLEARED AREA PRIOR TO THE PLACEMENT OF ROCK.
2. ROCK OR RECLAIMED CONCRETE SHALL MEET ONE OF THE FOLLOWING IDOT COARSE AGGREGATE GRADATIONS, CA-1, CA-2, CA-3 OR CA-4.
3. ANY DRAINAGE FACILITIES REQUIRED BECAUSE OF WASHING SHALL BE CONSTRUCTED ACCORDING TO MANUFACTURER'S SPECIFICATIONS.
4. IF WASH RACKS ARE USED, THEY SHALL BE INSTALLED ACCORDING TO THE MANUFACTURER'S SPECIFICATIONS.



SIDE ELEVATION



SECTION A-A



SECTION B-B

Revised:
1. 06/12/2015
2.
3.
4.

Drawing Name
CONSTRUCTION ENTRANCE

Drawing Number
EC-02
Date: 07/31/2012
Drawn Checked
DD AW

City of
Crystal Lake
Illinois