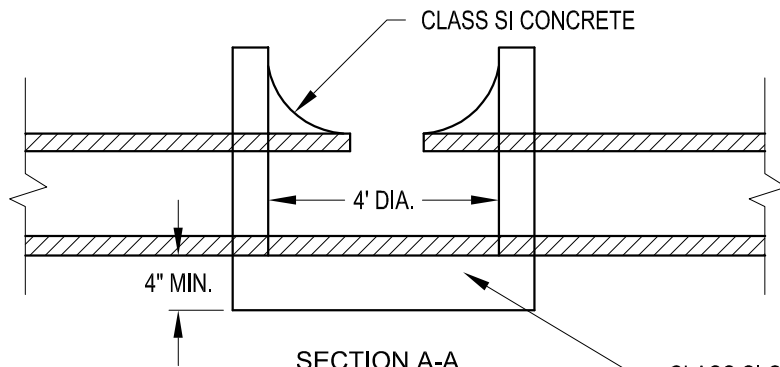
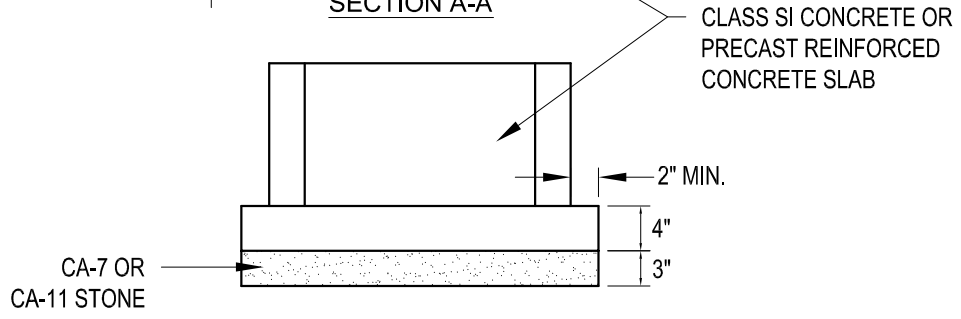


PLAN



SECTION A-A



USE TYPE 01 GRATE (EJIW 1037 OR AS APPROVED EQUIVALENT) IN GRASSY AREAS

PRECAST CONCRETE ADJUSTING RINGS NOT TO EXCEED 8" AND A MAXIMUM OF 3 RINGS

6" PRECAST CONCRETE FLAT TOP

36" BARREL SECTION

PRECAST SECTION

SECTION B-B

FILL ANGULAR AREA WITH CONCRETE BRICK AND MORTAR (TYPICAL AT ENDS)

Revised:
1. 06/12/2015
2.
3.
4.

Drawing Name  
**4-FOOT INLET WITH CONCRETE FLAT TOP**

Drawing Number	UD-01e
Date:	05/29/2015
Drawn	Checked
JH	AW

