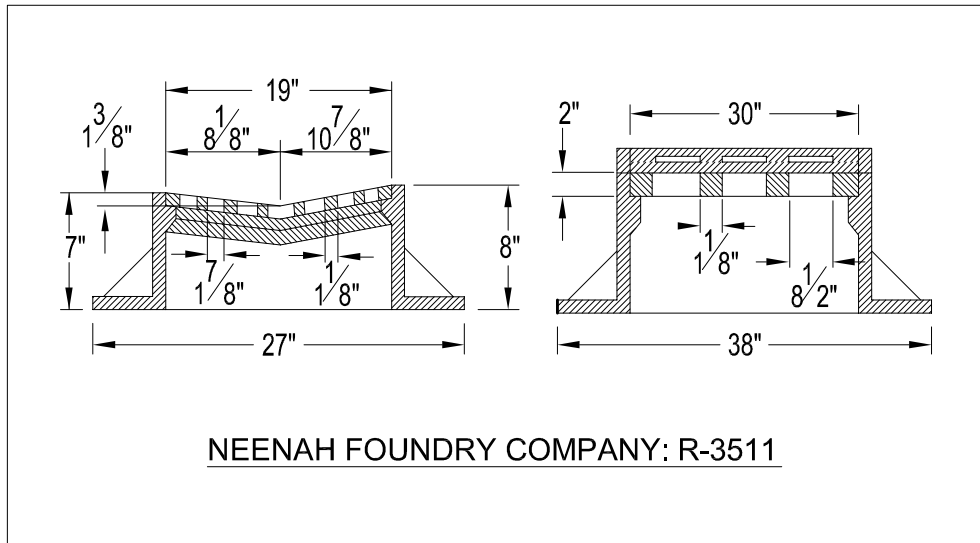


CITY REQUIREMENTS

1. BARRIER CURB: USE NEENAH R-3502-A; EJIW 7235 / TYPE M2 GRATE; OR APPROVED EQUAL
2. MOUNTABLE CURB OR DRIVEWAYS: USE NEENAH R-3281A (WITHOUT CURB BOX); EJIW 7210 / TYPE M3 GRATE; OR APPROVED EQUAL
3. CONCRETE MUST BE POURED A MINIMUM OF 6" AROUND THE CIRCUMFERENCE OF THE FRAME AND AT LEAST 6" BELOW THE FRAME TO ENSURE THAT THERE WILL BE NO INFILTRATION BETWEEN THE FRAME AND STRUCTURE.



Revised:
1. 06/12/2015
2.
3.
4.

Drawing Name
CURB INLET FRAME AND GRATE

Drawing Number
UD-02a
Date: 5/28/2015
Drawn Checked
JH AW



City of
Crystal Lake
I l l i n o i s