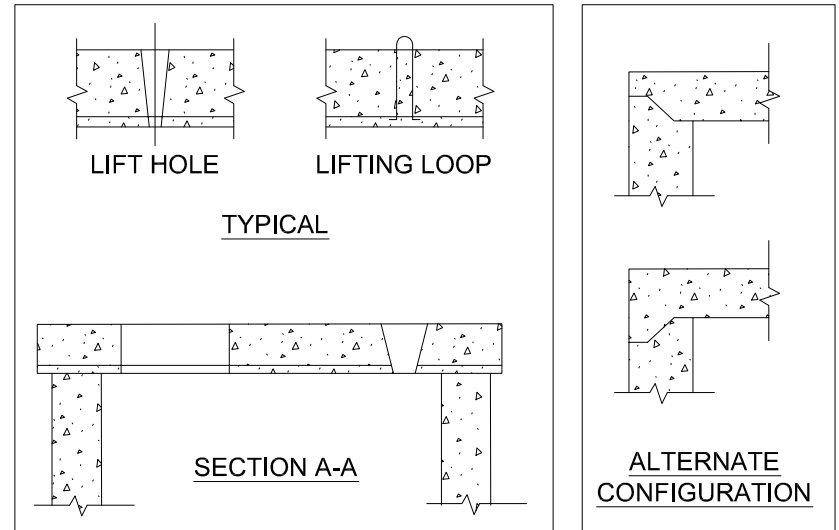


**NOTES:**

1. PRECAST FLAT TOPS SHALL CONFORM TO SECTION 1042 OF THE STANDARD SPECIFICATIONS.
2. REINFORCEMENT BARS OR WELDED WIRE FABRIC SHALL BE IN ACCORDANCE WITH ARTICLE 1006.10 OF THE STANDARD SPECIFICATIONS.
3. JOINT CONFIGURATION AND DIMENSIONS SHALL MATCH AND FIT THE RISER JOINT DETAIL.
4. LIFTING DEVICES OTHER THAN THAT SHOWN MAY BE USED SUBJECT TO APPROVAL BY THE ENGINEER.
5. THE FLAT SLAB TOP MAY BE USED IN LIEU OF THE TAPERED TOPS SHOWN ON STANDARD 1514, 1526, 1527, OR 1886, AT THE OPTION OF THE CONTRACTOR OR WHEN FIELD CONDITIONS PROHIBIT THE USE OF TAPERED TOPS.
6. THE COST OF FURNISHING AND INSTALLING THE FLAT SLAB TOP SHALL BE INCLUDED IN THE UNIT PRICE FOR CATCH BASIN OR MANHOLE.



Revised:
1. 06/12/2015
2.
3.
4.

Drawing Name  
**ECCENTRIC FLAT TOPS  
 FOR CURB INLET  
 STORM MANHOLES**

Drawing Number  
**UD-02b**

Date: 01/30/15

Drawn      Checked  
 DD          AW

