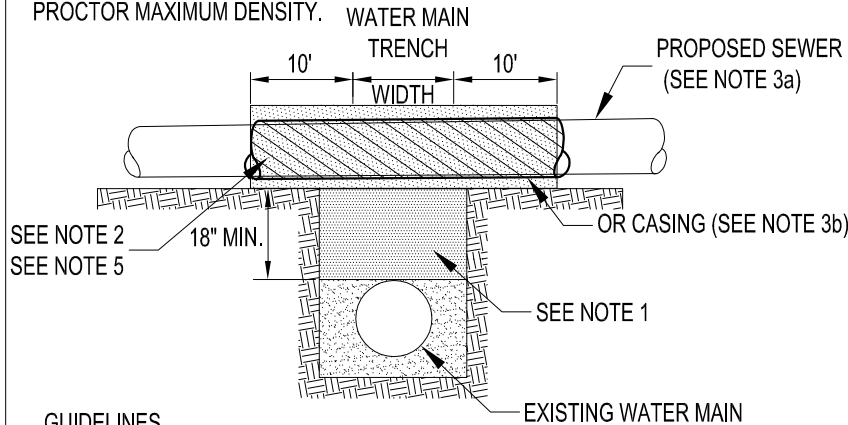


EXISTING WATER MAIN BELOW PROPOSED SEWER LINE WITH 18" MINIMUM SEPARATION.

NOTE: CLASS IV MATERIAL TO BE COMPACTED TO 95% CF STANDARD PROCTOR MAXIMUM DENSITY.



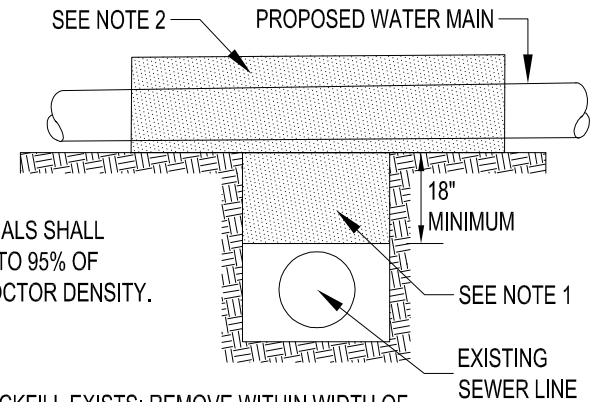
GUIDELINES

1. IF THE SELECT GRANULAR BACKFILL EXISTS; REMOVE WITHIN WIDTH OF PROPOSED SEWER TRENCH AND REPLACE WITH SELECT EXCAVATED MATERIAL (CLASS IV) AND COMPACT.
2. OMIT SELECT GRANULAR CRADLE AND GRANULAR BACKFILL TO ONE (1) FOOT OVER TOP 10 FEET ON EITHER SIDE OF THE WATER MAIN.
- 3a. CONSTRUCT 10 FEET OF PROPOSED SEWER OF WATER MAIN MATERIAL AND PRESSURE TEST, OR
- 3b. USE 10 FEET OF CASING FOR PROPOSED SEWER AND SEAL ENDS OF CASING.
4. POINT LOADS SHALL NOT BE ALLOWED BETWEEN SEWER OR SEWER CASING AND WATER MAIN
5. PROVIDE ADEQUATE SUPPORT FOR EXISTING WATER MAIN TO PREVENT DAMAGE DUE TO SETTLEMENT OF SEWER TRENCH.

*THE REQUIREMENTS ON THIS DETAIL ARE TAKEN FROM THE STANDARD SPECIFICATIONS FOR WATER AND SEWER MAIN CONSTRUCTION IN ILLINOIS (SEE PAGES 160-173)

PROPOSED WATER MAIN ABOVE EXISTING SEWER LINE WITH 18" MINIMUM SEPARATION.

NOTE:
CLASS IV MATERIALS SHALL BE COMPACTED TO 95% OF STANDARDS PROCTOR DENSITY.



GUIDELINES

1. IF THE SELECT GRANULAR BACKFILL EXISTS; REMOVE WITHIN WIDTH OF PROPOSED SEWER TRENCH AND REPLACE WITH SELECT EXCAVATED MATERIAL (CLASS IV) AND COMPACT.
2. OMIT SELECT GRANULAR CRADLE AND GRANULAR BACKFILL TO ONE (1) FOOT OVER TOP 10 FEET ON EITHER SIDE OF THE WATER MAIN.

PROPOSED WATER MAIN ABOVE EXISTING SEWER LINE WITH LESS THAN 18" MINIMUM SEPARATION.

GUIDELINES

1. IF THE SELECT GRANULAR BACKFILL EXISTS; REMOVE WITHIN WIDTH OF PROPOSED SEWER TRENCH AND REPLACE WITH SELECT EXCAVATED MATERIAL (CLASS IV) AND COMPACT.
2. OMIT SELECT GRANULAR CRADLE AND GRANULAR BACKFILL TO ONE (1) FOOT OVER TOP 10' FEET ON EITHER SIDE OF THE WATER MAIN.
3. POINT LOADS SHALL NOT BE ALLOWED BETWEEN SEWER OR SEWER CASING AND WATER MAIN
4. USE A CASING FOR PROPOSED WATER MAIN AND SEAL ENDS OF CASING.

Revised:
1. 06/12/2015
2.
3.
4.

Drawing Name

WATER AND SEWER SEPARATION REQUIREMENTS

Drawing Number	UG-04a
Date:	04/15/2007
Drawn	Checked
EM	AW



City of
Crystal Lake
Illinois