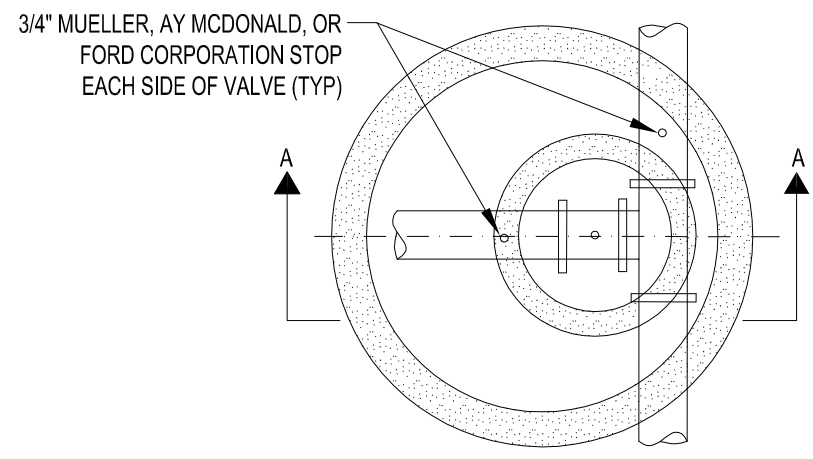


SECTION A-A



PLAN VIEW

NOTES:

1. ALL UNDERGROUND MUST BE STAINLESS STEEL NUTS, BOLTS AND WASHERS.
2. MUELLER T-2360-16 OR AMERICAN FLOW CONTROL SERIES 2500-1 TAPPING VALVE
3. STAINLESS STEEL SMITH BLAIR "665", CASCADE "CST-EX", *ROMAC INDUSTRIES "SST", OR FORD "FTSS" TAPPING SLEEVE
4. SEE UW-01 FOR STANDARD VAULT VALVE

* DUCTILE IRON FLANGE AND M.J. OUTLET NOT APPROVED FOR USE W/ROMAC SST

Revised:
1. 06/12/2015
2.
3.
4.

Drawing Name

WATER MAIN PRESSURE CONNECTION

Drawing Number	UW-02
Date:	05/29/2015
Drawn	Checked
JH	VR



City of
Crystal Lake
Illinois